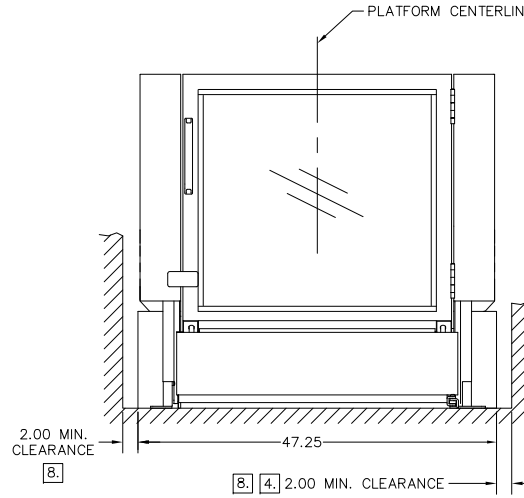


THIS DOCUMENT CONTAINS PROPRIETARY INFORMATION AND EXCEPT WITH WRITTEN PERMISSION BY AGM CONTAINER CONTROLS, INC. SUCH INFORMATION SHALL NOT BE PUBLISHED, DISCLOSED TO OTHERS OR USED FOR ANY PURPOSE AND THE DOCUMENT SHALL NOT BE DUPLICATED IN WHOLE OR IN PART.

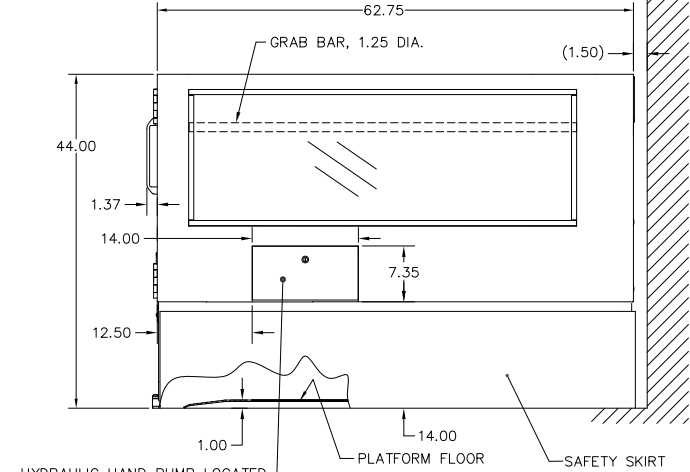
ZONE	LTR.	DESCRIPTION	DATE	APPROVED
---	C	REVISED IAW DCN 07-009-N	JMO 2-26-07	EJZ
---	D	NO CHANGE TO THIS SHEET	JMO 3-8-07	EJZ
---	E	CORRECTED DESCRIPTION	JMO 5-10-07	EJZ
---	F	REVISED IAW DCN 07-035-N	JMO 7-19-07	EJZ
CB,BB	G	NOTES: PLATFORM WAS LIFT CAR; REMOVED DOCK PLATE	JMO 8-31-07	EJZ
BB	H	ADDED NOTES 5.2, 5.3. REMOVED EXTERNAL SWITCHES COMBINED SHEETS 1 & 2	JMO 3-19-08	EJZ
---	J	REVISED NOTES; ADDED VIEW A-A ARROWS; ADDED ULG REF DIMS.	JMO 9-26-08	EJZ
A5	K	ADDED REFERENCE DIMENSION BETWEEN PLATFORM AND UPPER LANDING, 12-4-08 CLD	JMO 1-6-09	EJZ
BB	L	ADDED NOTE 8	JMO 1-30-09	EJZ
---	M	REVISED IAW DCN 09-018-N	JMO 6-15-09	EJZ

NOTES UNLESS OTHERWISE SPECIFIED:

1. DESCRIPTION: ASCENSION VIRTUOSO 5460F MODEL SERIES VERTICAL WHEELCHAIR LIFT
2. ELECTRICAL & CONTROLS:
 - 2.1 120 VAC, 60 HZ, SINGLE PHASE, 15 AMP MINIMUM SERVICE LINE.
 - 2.2 LANDING OPERATING CONTROLS PROVIDED IN 1.88" DEEP SINGLE GANG HANDY BOX FOR REMOTE MOUNTING.
 - 2.3 ALL CONTROL CIRCUITS POWERED BY 12 VDC SOLID STATE LINEAR POWER SUPPLY.
3. LIGHTING: STANDARD AND EMERGENCY LIGHTING TO BE PROVIDED BY OTHERS.
4. (SHEETS 1 & 3) INDICATED MINIMUM CLEARANCE (ON RIGHT SIDE ONLY) SHALL BE INCREASED TO 8.00" FOR HAND PUMP ACCESS WHERE STANDBY POWER OR BATTERY BACKUP IS NOT PROVIDED, AND FOR ALL INSTALLATIONS IN CALIFORNIA.
5. (SHEETS 1 & 2) STANDARD GATE HINGING SHOWN; MIRROR GATES AND GATE DIMENSIONS ABOUT PLATFORM CENTERLINE AS NECESSARY FOR OTHER HINGE CONFIGURATIONS.
6. REINFORCED CONCRETE SLAB REQUIRED, 4" THICK, 3500 PSI, FLAT AND LEVEL WITHIN 1/2".
7. ANCHORS TO BE PROVIDED BY INSTALLER.
8. WHERE AN OBSTRUCTION OR SURFACE LOCATED WITHIN 12" OF PLATFORM PRESENTS A PINCHING, SHEARING, OR CRUSHING HAZARD, A SMOOTH CONTINUOUS SURFACE SHALL BE PROVIDED EXTENDING FROM LOWER LANDING TO 42" MINIMUM ABOVE UPPER LANDING.



FRONT END ELEVATION [5]



RIGHT SIDE ELEVATION

SEE SHEET 3

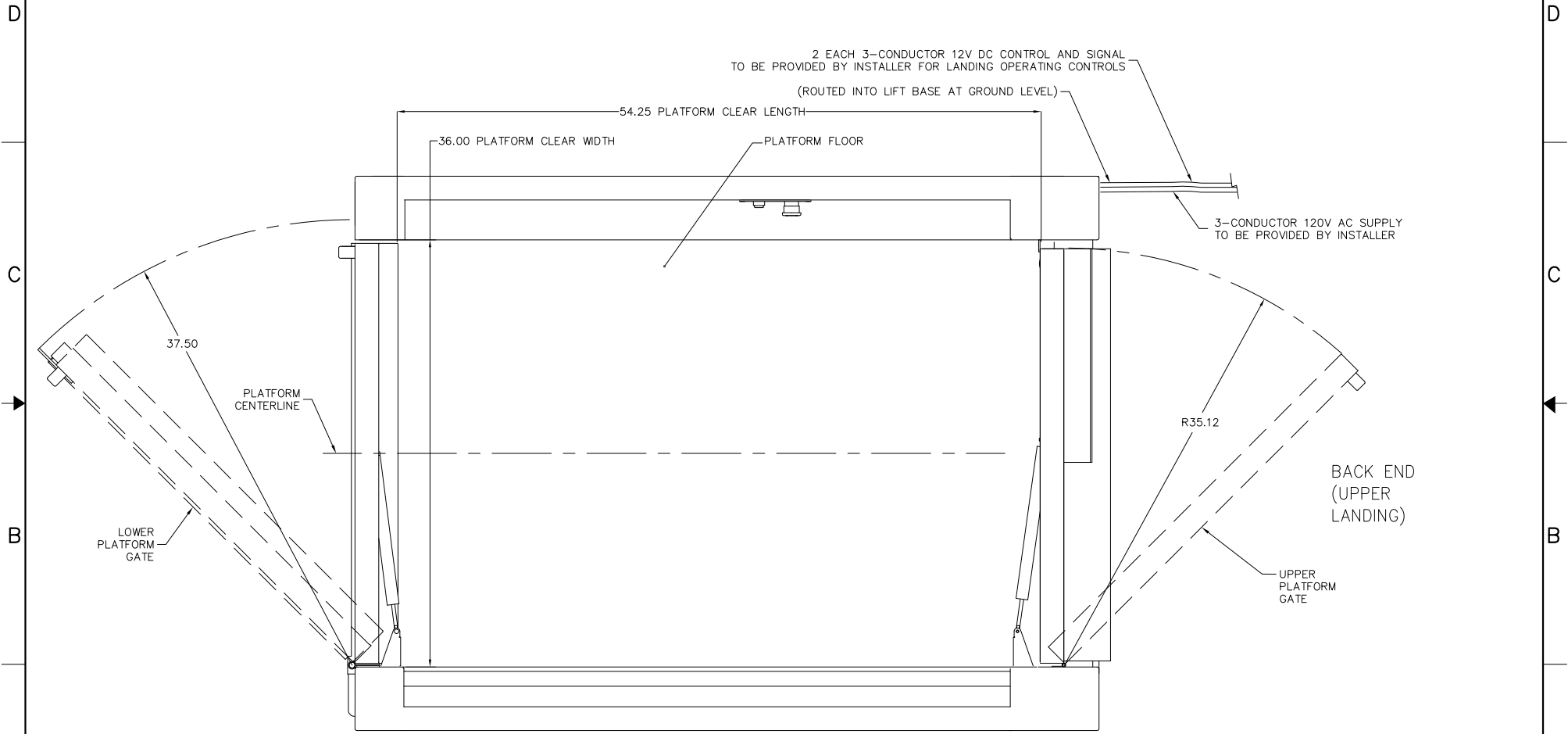
PART DASH NO.		QTY. REQ'D PER ASSY.	NEXT FINAL	NEXT ASSY.	USED ON	SIMILAR TO	ACT. WT.	KALC. WT.	INTERPRET DIMENSIONS AND TOLERANCES IAW ANSI Y14.5M-1982 UNLESS OTHERWISE SPECIFIED DIMENSIONS ARE IN INCHES DECIMALS: XX.XX ANGLES: 3/16 X .030 DO NOT SCALE DRAWING FRESH	CHECKED: M. ONTIVEROS DATE: 8-31-06	DATE: 9-5-06	DATE: 9-5-06	CUSTOMER: OGM CONTAINER CONTROLS, INC. P.O. BOX 40020 - TUCSON, ARIZONA 85717-0020	
TITLE: VERTICAL WHEELCHAIR LIFT ASSEMBLY										SCALE: 1/4"	FSCM NO.: 08992	DRG. NO.: VIRTUOSO 5460F	REV: M	SHEET: 1 OF 3

ASCENSION P/N:

8 7 6 5 4 3 2 1

THIS DOCUMENT CONTAINS PROPRIETARY INFORMATION AND EXCEPT WITH WRITTEN PERMISSION BY AGM CONTAINER CONTROLS, INC. SUCH INFORMATION SHALL NOT BE PUBLISHED, DISCLOSED TO OTHERS OR USED FOR ANY PURPOSE AND THE DOCUMENT SHALL NOT BE DUPLICATED IN WHOLE OR IN PART.

REVISIONS						
ZONE	LTR.	DESCRIPTION	DATE	APPROVED		
---	L	NO CHANGE THIS SHEET	1-30-09	JMO	2-2-09	EJZ
---	M	REVISED IAW DCN 09-018-N	6-15-09	JMO	6-15-09	EJZ



GATE HINGE CONFIGURATIONS: **5.**

- 1. STANDARD GATE HINGING: ALL GATES AS SHOWN.
- 2. OPPOSITE-HINGED LOWER PLATFORM GATE: MIRROR LOWER PLATFORM GATE ABOUT PLATFORM CENTERLINE.
- 3. OPPOSITE-HINGED UPPER PLATFORM GATE: MIRROR UPPER PLATFORM GATE ABOUT PLATFORM CENTERLINE.
- 4. ALL GATES OPPOSITE HINGED: MIRROR ALL GATES ABOUT PLATFORM CENTERLINE.

PLAN VIEW

A

A

SIZE	FSCM NO.	DRG. NO.	REV
D	08992	VIRTUOSO 5460F	M
SCALE 1/4	RELEASE DATE	SHEET 2	

